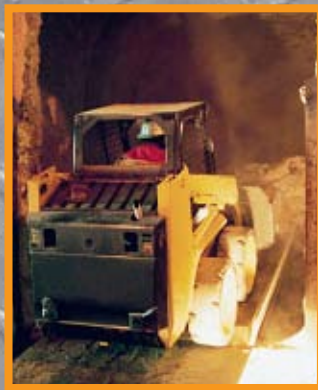




**BRICKING
SOLUTIONS**
A DIVISION OF **BROKK**

MUCK-IT-BUCKET



Designed & manufactured to be the most efficient and safest method for removing debris from refractory kilns in the business

1144 VILLAGE WAY | MONROE, WASHINGTON 98272 | USA
800.621.7856 | 360.794.1277 | FAX 360.805.2521
INFO@BRICKINGSOLUTIONS.COM | WWW.BRICKINGSOLUTIONS.COM

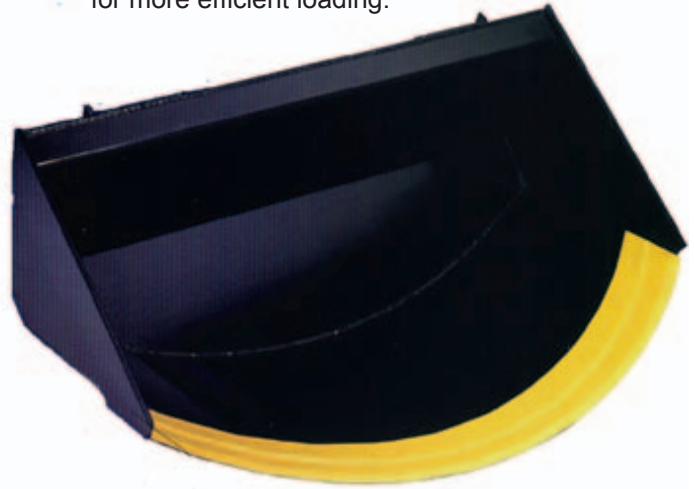
MUCK-IT-BUCKET

FEATURES & BENEFITS



Quick Hitch for most style loaders.
Custom Hitches available

Radiused bottom matches curvature of shell
for more efficient loading.

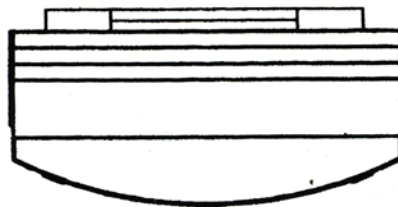
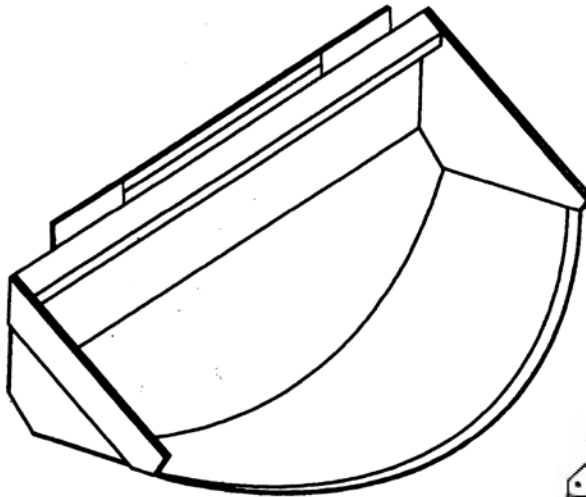


1/2" T-1 Steel Beveled Leading Edge increases life and strength to edge. Will accept welded teeth if that is preferred.

1/2" Wear plates on sides and bottom ensure long life



Radiused leading edge to penetrate rubble and reduce machine and operator impact.



FRONT VIEW

59-1/16"



TOP VIEW

Approximately 1 yard Capacity



Increased cubic capacity for
faster muck out